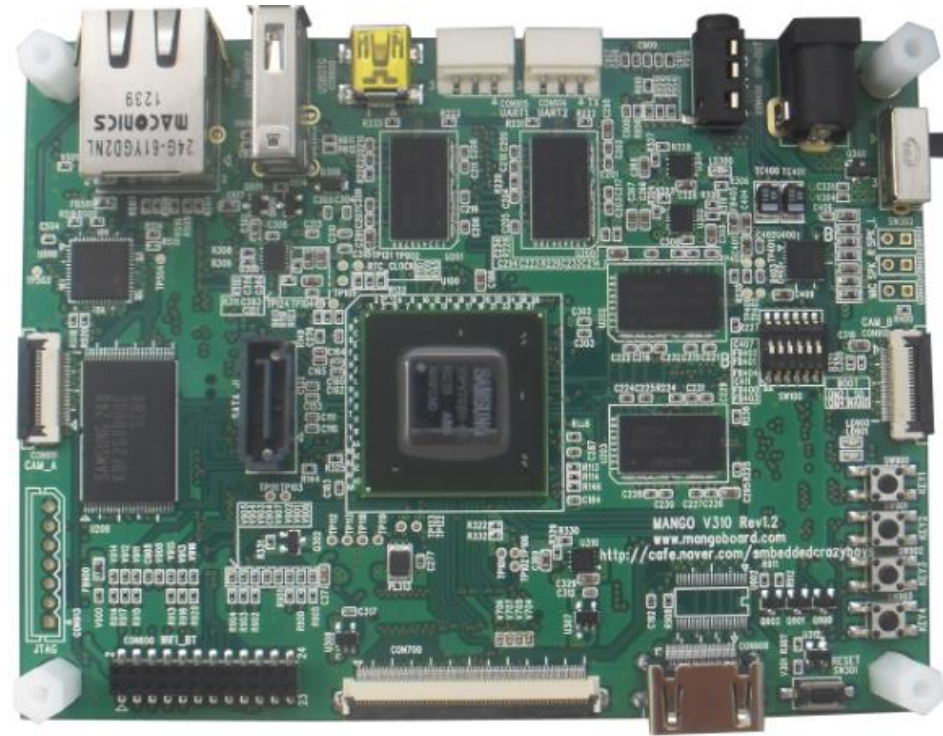


Quick Start Guide

CRZ.

CRZ. TECHNOLOGY



Mango310

About the Mango310

CPU	Samsung S5PV310 ARM Cortex A9	1GHz/1.3GHz Application Processor
Memory	DDR3 SDRAM	2Gbytes(2Gbitx8)
	SLC NAND Flash	256Mbytes
Display	7" WVGA(800x480) Color TFT	with Touch Screen Interface
Audio	Wolfson WM8960 Audio Codec	with 1W Stereo Speaker Amplifier
Ethernet	SMSC LAN9220	10/100Mbps Ethernet Controller
USB	USB 2.0 Host	
	USB 2.0 OTG	
SD	SD/MMC Port 0	Standard SD Connector
	SD/MMC Port 1	Standard SD Connector
	SD/MMC Port 2	Expansion Connector
	SD/MMC Port 3	WiFi & Expansion Connector
UART	UART Port 0	BT & Expansion Connector
	UART Port 1	D-SUB9 DEBUG
	UART Port 2	D-SUB9 DEBUG
HDMI	V1.3(1080p Full HD)	
Camera	CAM Port 2 지원	1.3M, 5M Pixel AF Camera
WiFi/BT	SDIO ,802.11BGN 지원, BT(UART0,SDIO)	
SATA	SATA 2.0 지원(옵션)	
Connectors	Expansion Connectors(80X4)	PCI Express,IrDA, Camera, I2S,MIPI SPI0/SPI1, SDIO0/2, EBI, UART, LCD etc

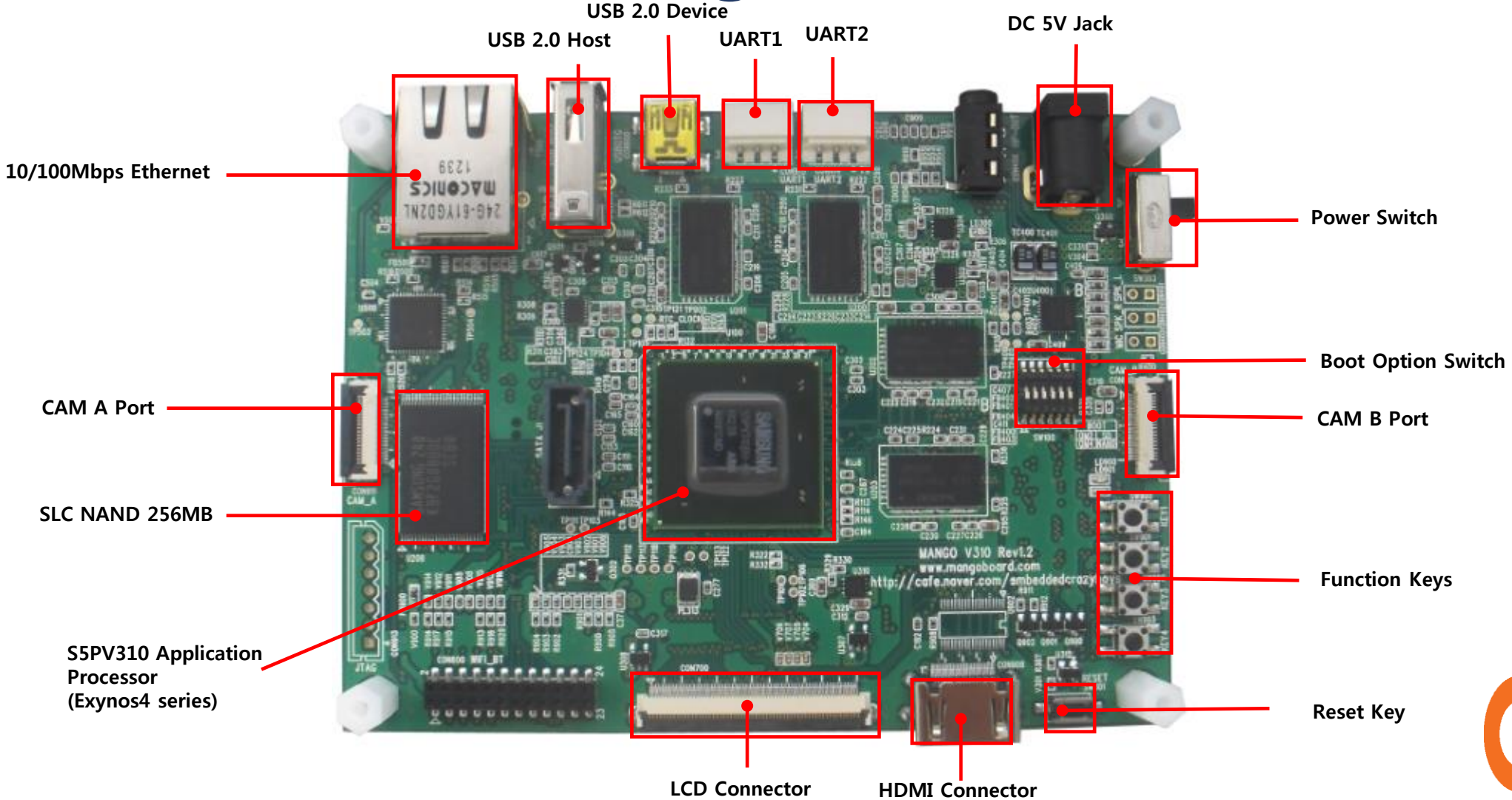


Getting Started

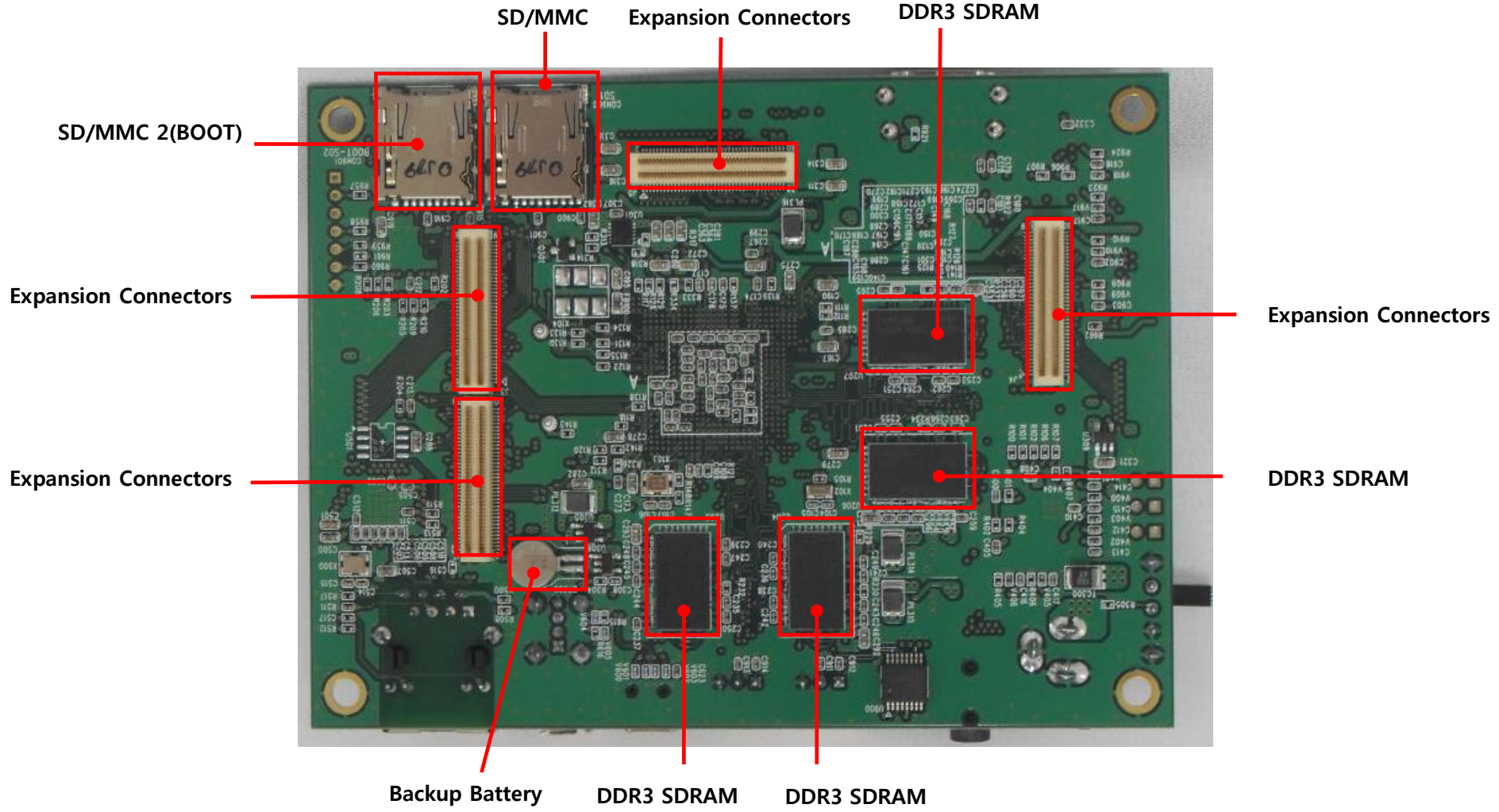
- ❖ Boards : Mango310 Board, CM usb to RS232 module
- ❖ Cables : mini-usb Cable 1ea, 3pin serial cable,
- ❖ Power Supply : 5V /2A adapter
- ❖ Documentation : Quick Start Guide (this document)



Get to Know the Mango310 TOP

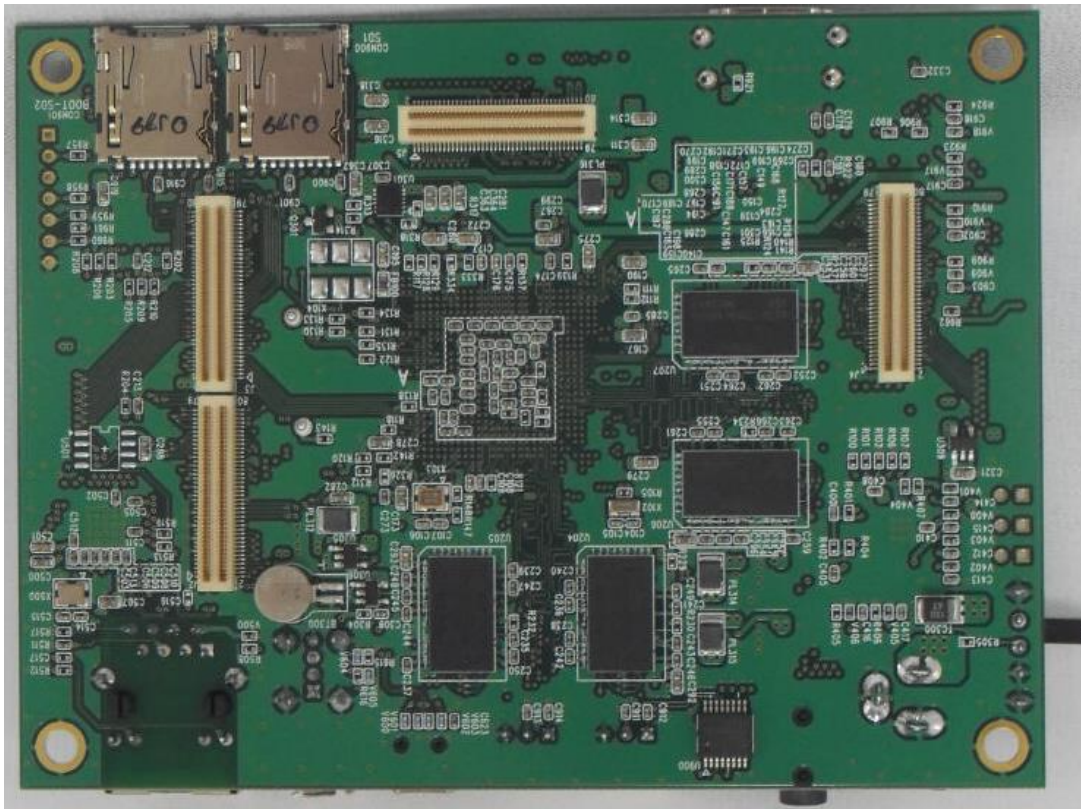


Get to Know the Mango310 BOTTOM



Setting up the Board

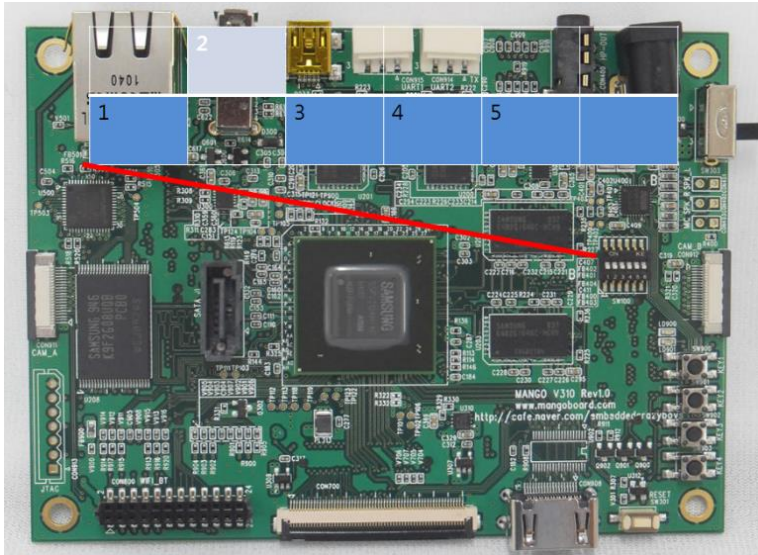
1 Mango310보드에 SD카드 장착



Setting up the Board

3

Boot Option Switch 설정



4

Power 연결

5V/2A 어댑터를 Mango-M32 보드에 연결합니다. 전원이 정상적으로 연결되면 Power LED가 켜집니다.



Setting up the Board

5 디버깅 메시지 확인

터미널 프로그램을 연결하여 다음과 같은 디버깅 메시지를 확인하면 정상동작을 하는 것입니다.

```
U-Boot 2010.12 (Jun 27 2013 - 19:04:28) for CRZ Mango310

CPU: S5PV310 [Samsung SOC on SMP Platform Base on ARM CortexA9]
APLL = 1000MHz, MPLL = 800MHz
DRAM: 2 GiB
0x11000120=0x222222
before SR0M_BW_REG=0x39
SR0M_BW_REG=0x339
```

```
[ 29.819500] acc_open
[ 29.819540] acc_release

shell@android:/ $ █
```

자세한 하드웨어 메뉴얼과 소스는 아래 주소에서 다운이 가능합니다.

매뉴얼 - https://docs.google.com/folder/d/0Bxdf_3fzbUgSZVp0WWxvS2pHOHM/edit

소스 - <http://crztech.iptime.org:8080/Release/mango310/>

참조바랍니다.





For more information , visit
<http://www.mangoboard.com>
<http://cafe.naver.com/embeddedcrazyboys>